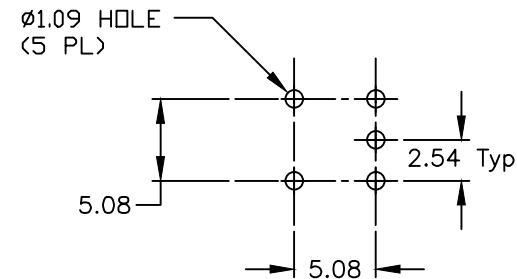
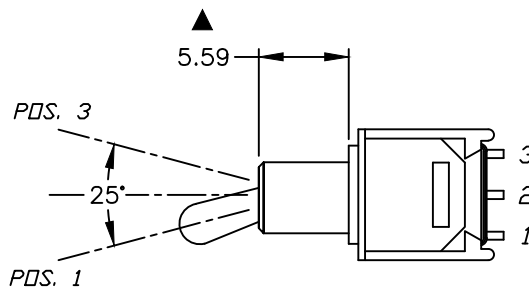
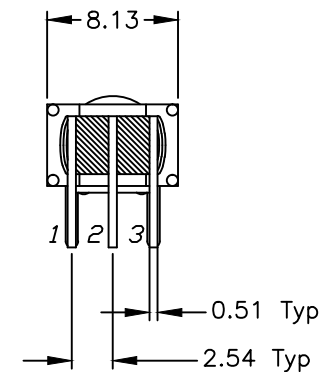
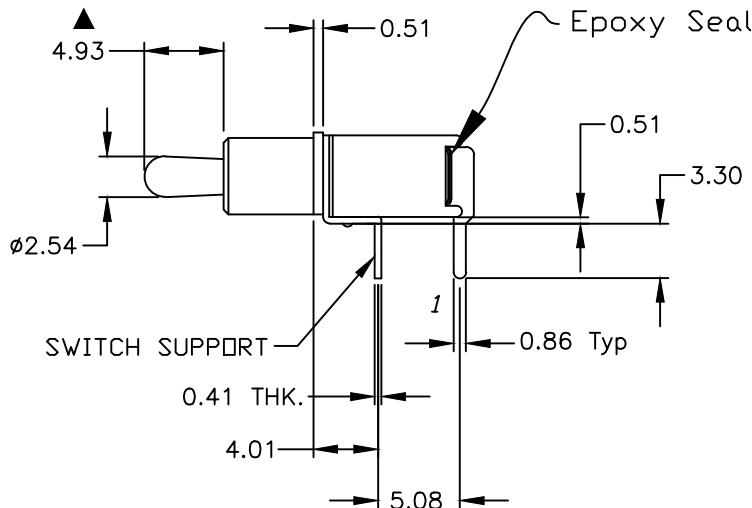
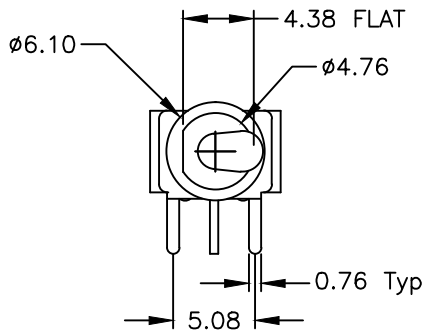


CIRCUIT: SPDT

SWITCH FUNCTION		
PDS. 1	PDS. 2	PDS. 3
DN	NONE	DN
2-3	OPEN	2-1



RECOMMENDED P.C.B LAYOUT



NOTES:

- ALL DIMENSIONS IN MM
- GENERAL TOLERANCE: X.X=±0.4
X.XX=±0.25
- TERM. NOS. FOR REF. ONLY
- CONTACT RATING: 3A @120VAC; 1A @250VAC
- FIXED TERM/MOVING CONTACT:
10 MICRO INCH GOLD PLATE OVER
400 MICRO INCH SILVER PLATING.
- ELECTRIC LIFE: 30,000 make-and-break cycles
at full load.
- INSULATION RESISTANCE: 1,000 M ohm min.
- DIELECTRIC STRENGTH: 1,000 V RMS @sea level.
- OPERATING TEMP.: -30°C to 85°C
- ▲ DENOTES CRITICAL PARAMETER.

E	23131	drawing update	12/5/17	MW
D	14468	CONTACT RATING	11/8/04	AR
C	14404	CONTACT RATING, PLATING	10/14/04	AR
B	13700	CORRECT ACTUATOR	1/12/04	AR
A	13676	RELEASED FOR PRODUCTION	12/23/03	AR
REV.	ECN No.	DESCRIPTION	DATE	CHKD

THE INFORMATION CONTAINED IN THIS DOCUMENT IS PROPRIETARY TO E-SWITCH AND IS NOT TO BE COPIED OR TRANSFERRED



TITLE					200MSP1T2B2M6CE				
SCALE	2:1	DATE	12/23/03	DR	AR	DWG	T211041	REV	E